



Spare parts list

(16017100) K 3.48 M PLUS

(16017200) K 3.47 M PLUS

CONTENT LIST

1.0 Housing

2.0 Pump set

2.1 Housing

2.2 Thrust guidance

3.0 Motor

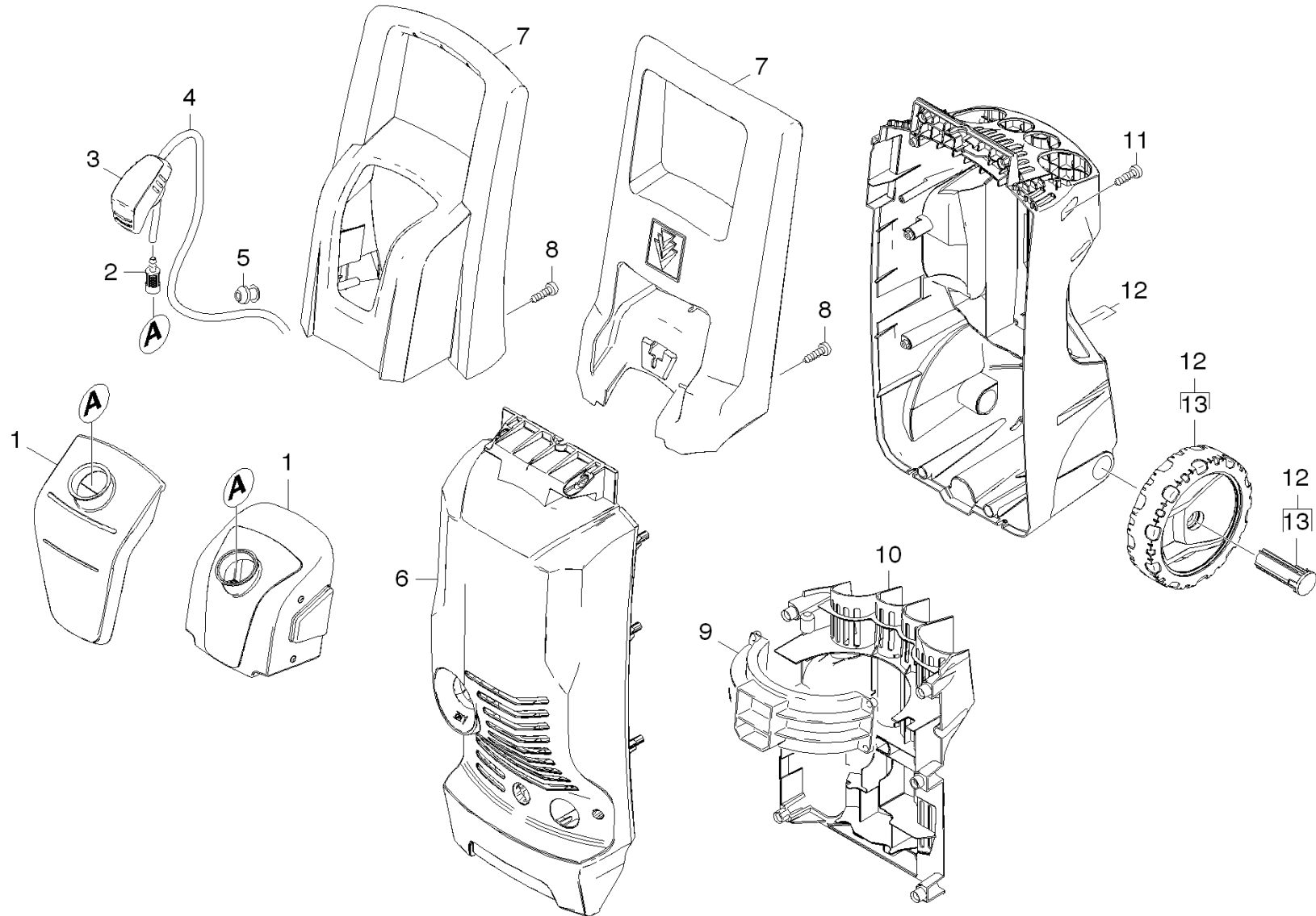
4.0 Accessories

4.1 Hand trigger gun

4.2 Jet pipe

5.0 Electric box

1.0 Housing



1.0 Housing

POS	DESCRIPTION ADDITIONAL INFORMATIONS	PART NO	QTY.	FROM SER.NR.	UP TO SER. NR.
1	tank K 3.48 1.601-710.0	97605150	1		
1	Tank cleaning agents K3.47M 1.601-720.0	97605190	1		
2	Filter with weight	57316090	1		
3	Detergent tank cap K 3.68	97604280	1		
4	Hose DN 5 TO ORDER AS CUT GOODS	63882160	1		
5	Wire protecting sleeve cleaning agents h	97603900	1		
6	Cover front (K3.67)	97603920	1		
7	handle K 3.48 1.601-710.0	97605140	1		
7	HANDLE K3.47M 1.601-720.0	97605610	1		
8	Screw	90861820	2		
9	Flange bracket KX.68	90373650	1		
10	Moulded part	90367220	1		
11	Screw Hi-Lo d.4x22 Torx-d.7,5	90861730	8		
12	Chassis rear complete K3.48	97761190	1		
13	Wheel set K3.68 / K3.48 SET OF 2 PIECES	97760570	1		

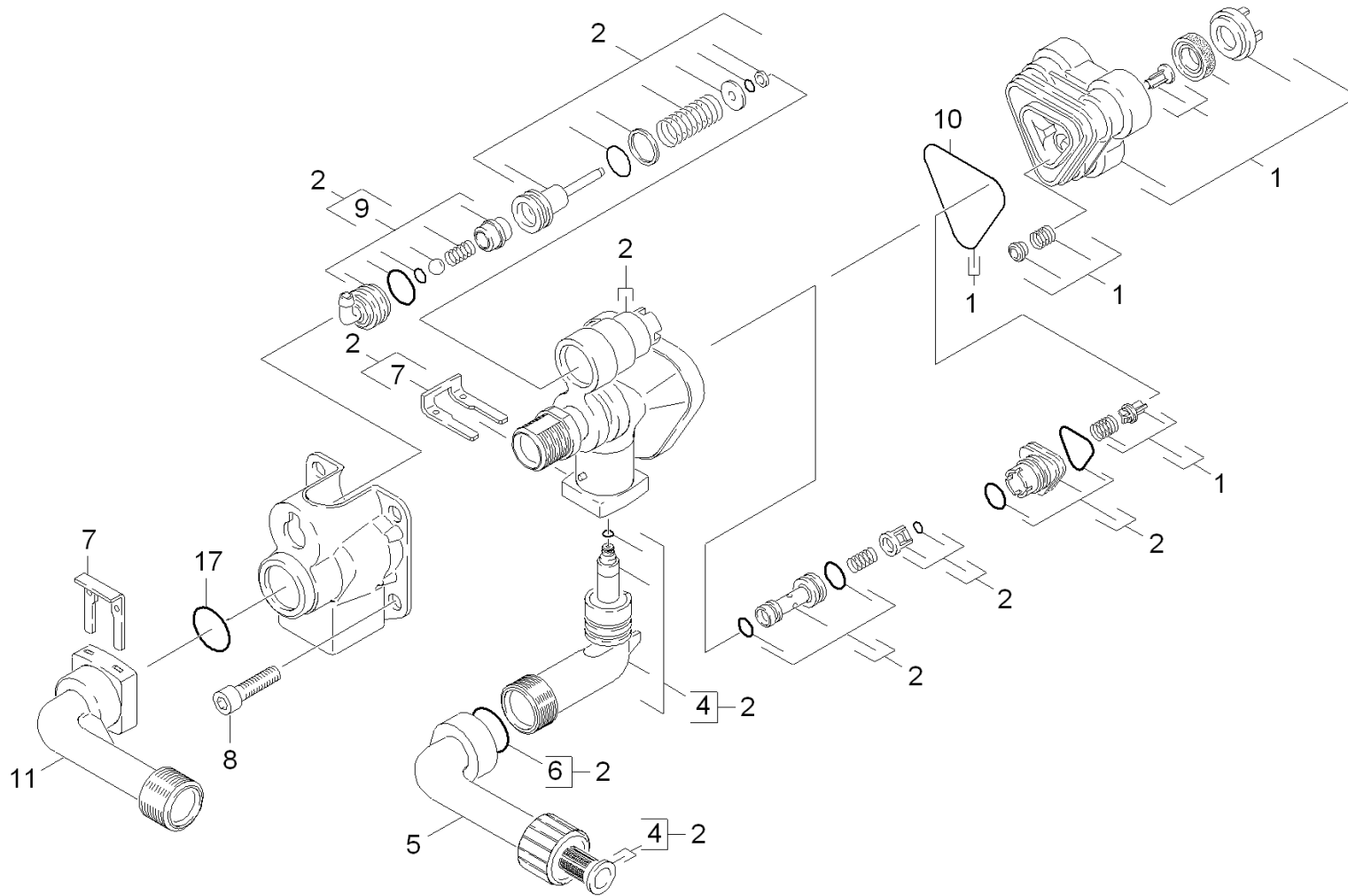
2.0 Pump set

2.1 Housing

2.2 Thrust guidance



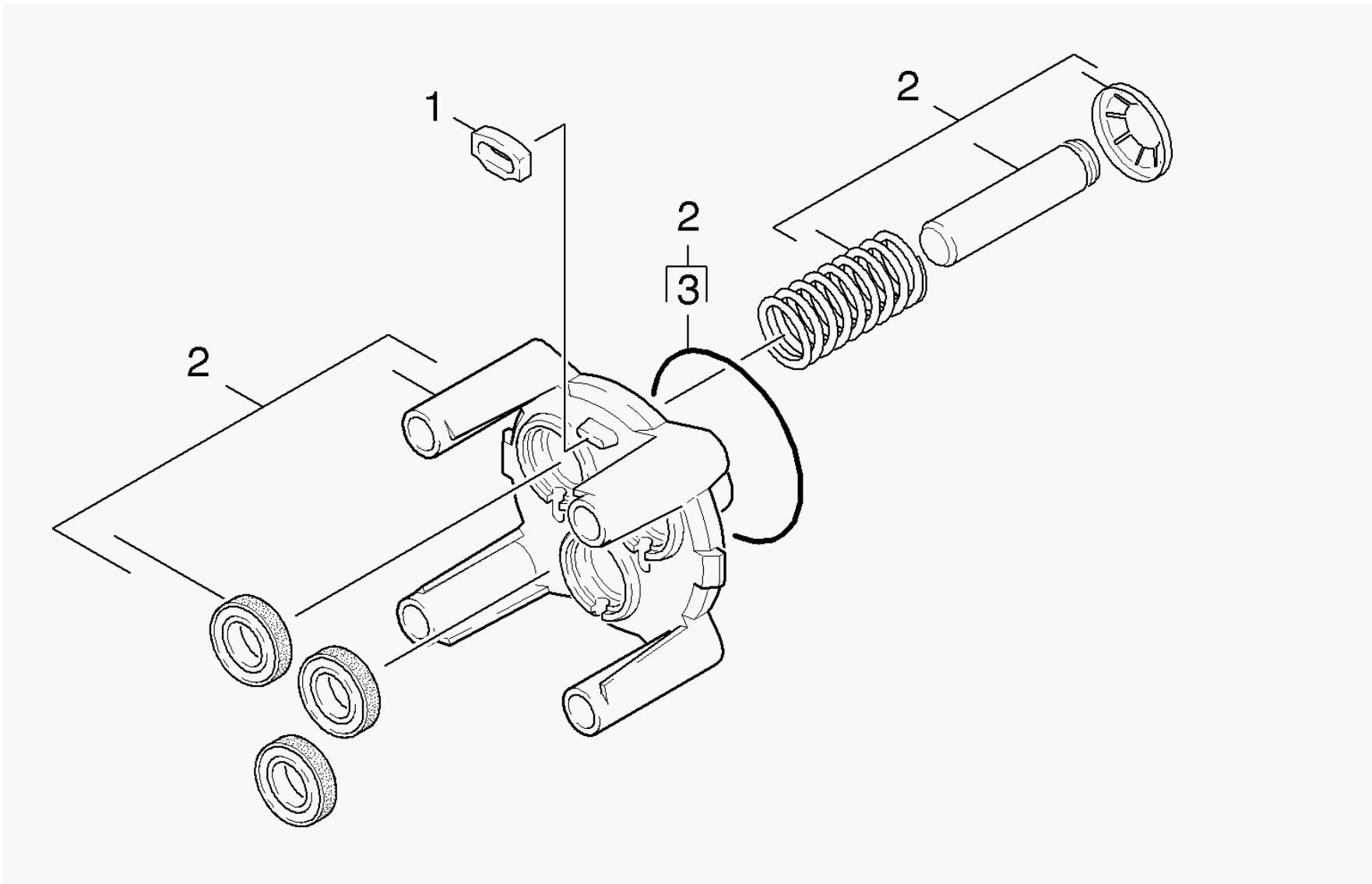
2.1 Housing



2.1 Housing

POS	DESCRIPTION ADDITIONAL INFORMATIONS	PART NO	QTY.	FROM SER.NR.	UP TO SER. NR.
1	H.P. head complete Spare Part	97601970	1		
2	Housing complete	97760580	1		
4	Spare parts set suction connection	90013750	1		
5	Suction connection replacement	97760590	1		
6	O-Ring d.17,86x2,62	90814200	1		
7	Metal fork	90391480	2		
8	Screw M 8x55 Class 8.8	90862000	4		
9	Detergent fitting assembly (CEN)	97500580	1		
10	Form seal	90814220	1		
11	Connection delivery side	90367030	1		
14	Cage complete	90011070	1		
15	Spring	90470260	1		
16	Injector complete	90011080	1		
17	O-Ring d. 10 x 2 NBR 70	63621510	1		

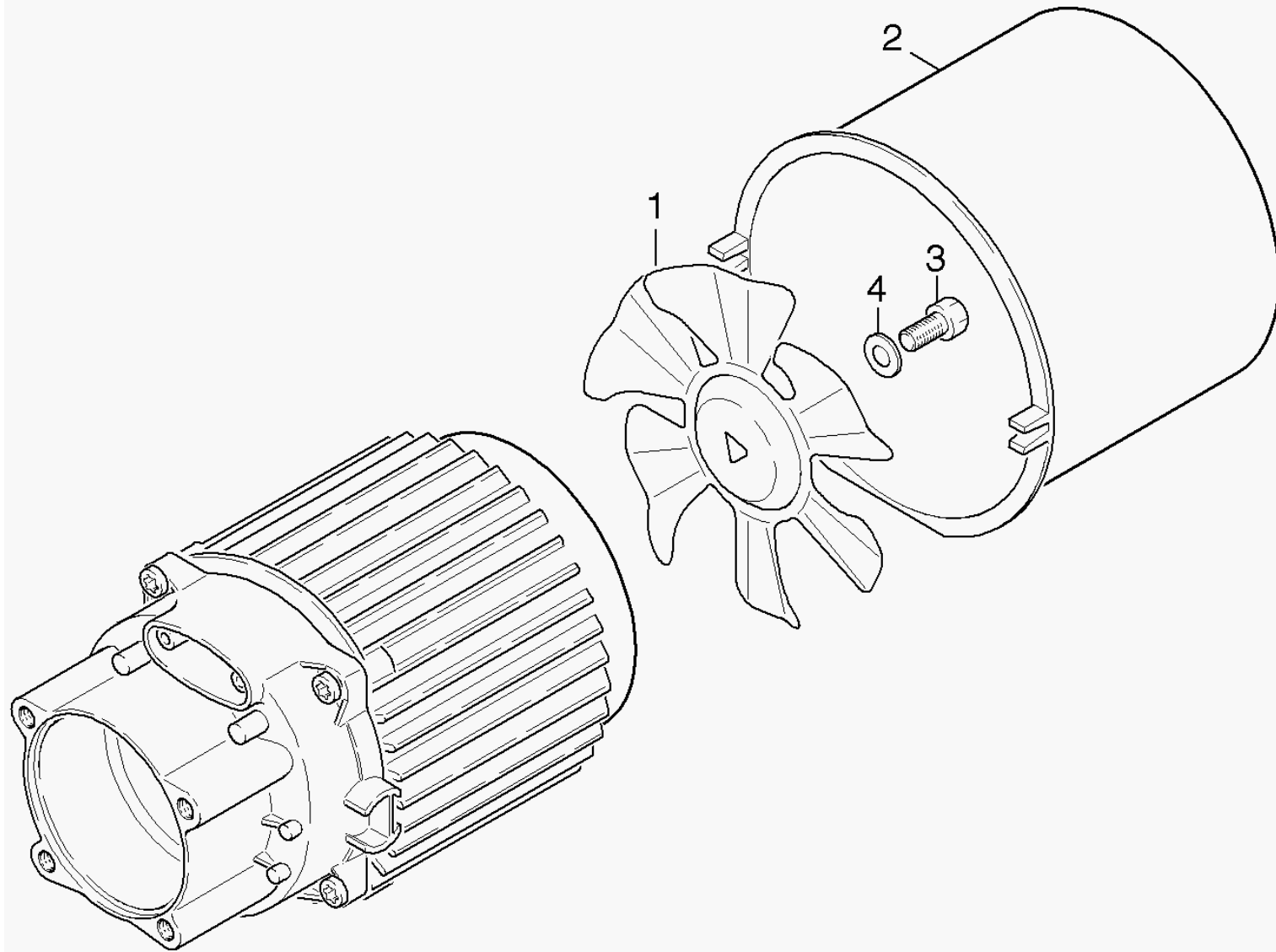
2.2 Thrust guidance



2.2 Thrust guidance

POS	DESCRIPTION ADDITIONAL INFORMATIONS	PART NO	QTY.	FROM SER.NR.	UP TO SER. NR.
1	Spacer - Seal	90480710	1		
2	THRUST kpl	90118520	1		
3	GASKET 61,6 X 2,62	63628260	1		

3.0 Motor



3.0 Motor

POS	DESCRIPTION ADDITIONAL INFORMATIONS	PART NO	QTY.	FROM SER.NR.	UP TO SER. NR.
1	Blower wheel	90391880	1		
2	FAN COVER	90370440	1		
3	Hexagonal head screw M8x16-8.8-A2E ISO	73043950	1		
4	Serrated lock washer A8,4-FSt-A3E DIN67	73122330	1		

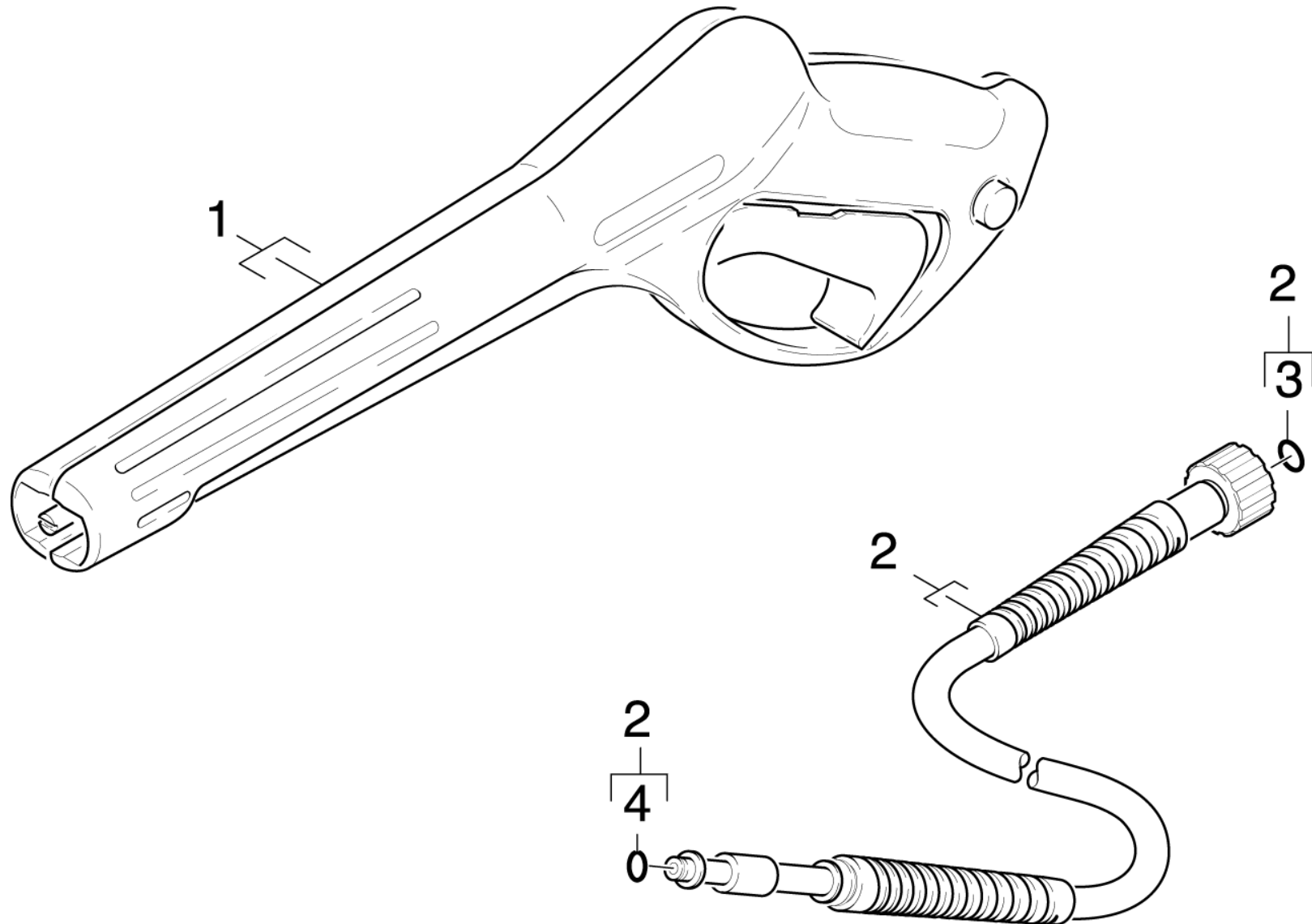
4.0 Accessories

4.1 Hand trigger gun

4.2 Jet pipe



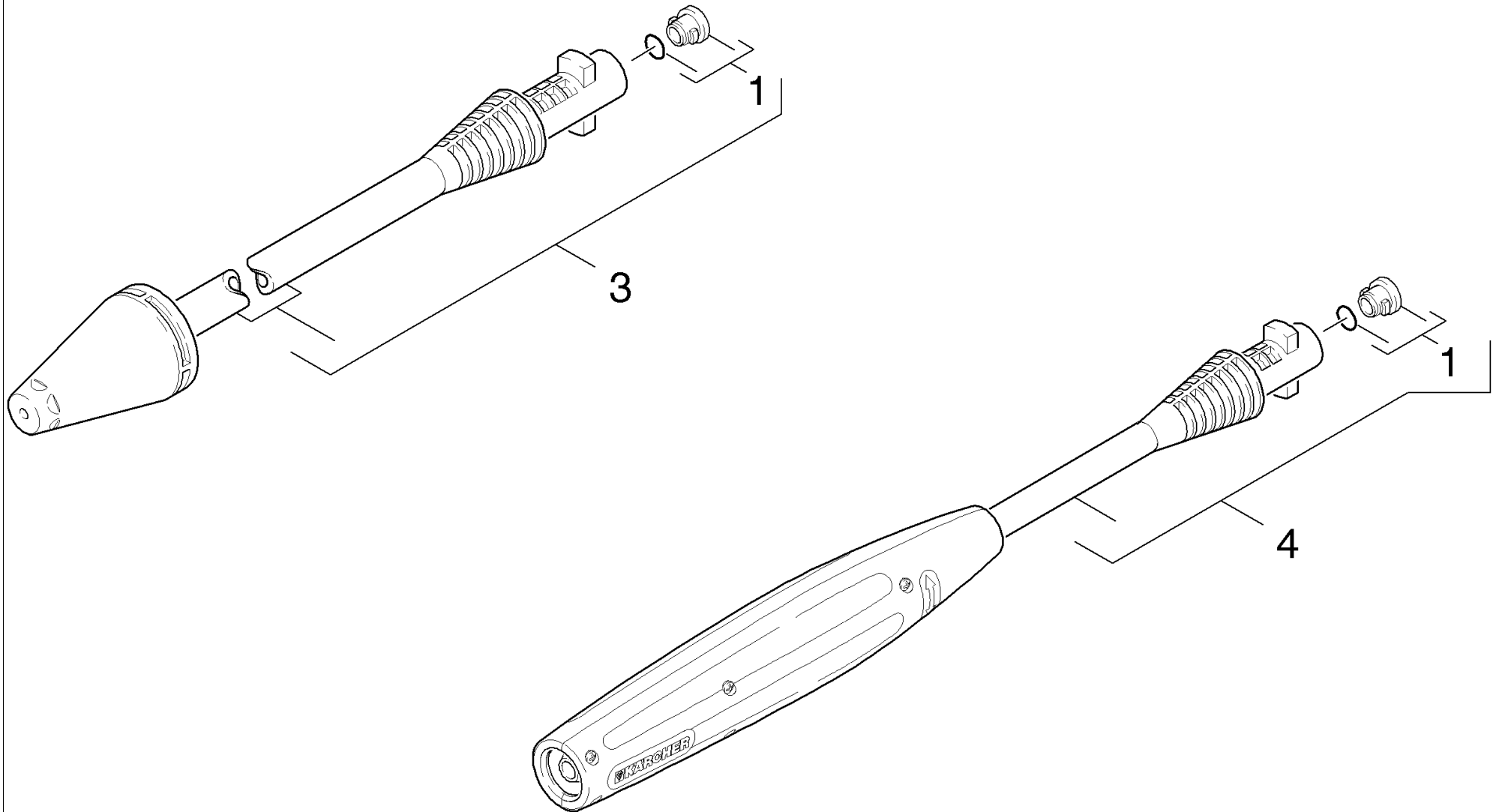
4.1 Hand trigger gun



4.1 Hand trigger gun

POS	DESCRIPTION ADDITIONAL INFORMATIONS	PART NO	QTY.	FROM SER.NR.	UP TO SER. NR.
1	Pistol replacement 97K	47753310	1		
2	High pressure hose 7,5/13MPa	63916630	1		
3	O-Ring kit	28801540	1		
4	O-Ring seal 6,75x1,78 NBR 70	63624980	1		

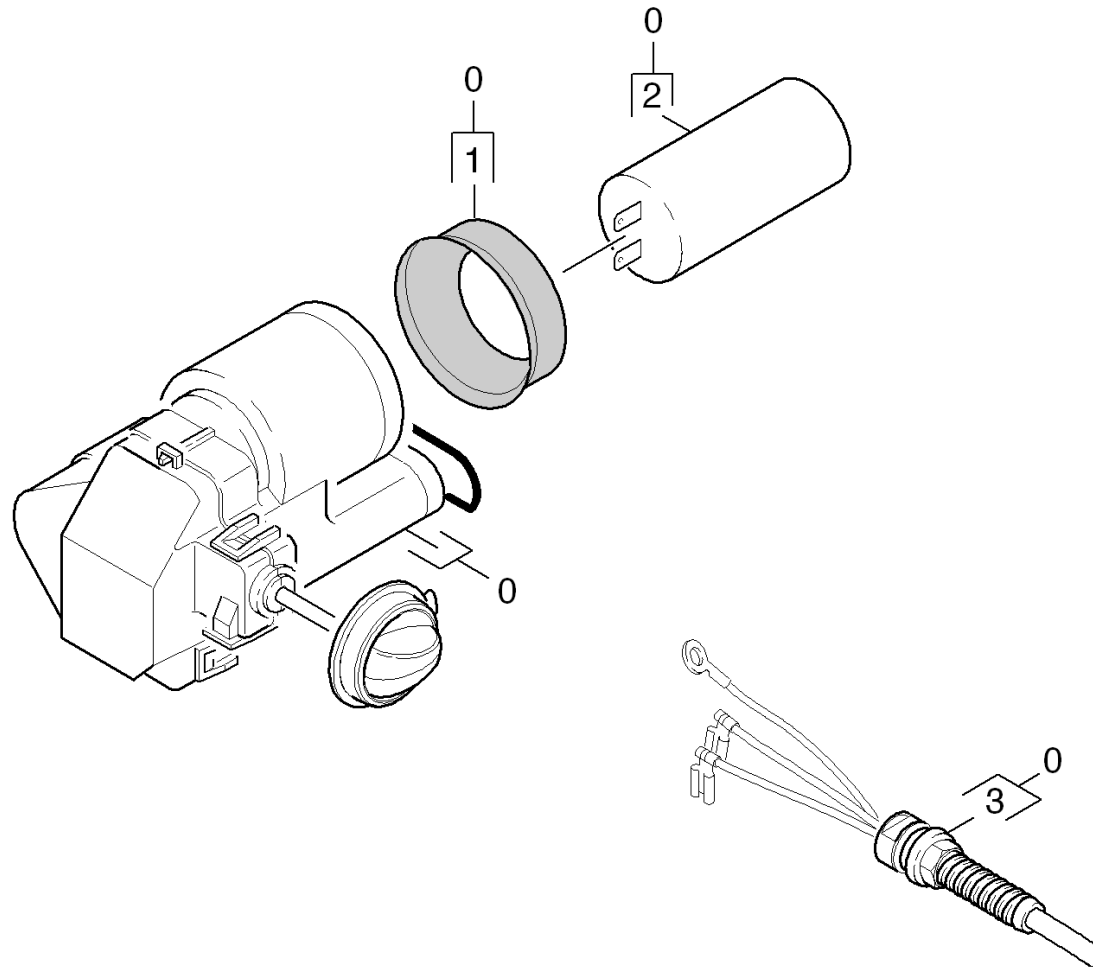
4.2 Jet pipe



4.2 Jet pipe

POS	DESCRIPTION ADDITIONAL INFORMATIONS	PART NO	QTY.	FROM SER.NR.	UP TO SER. NR.
1	O-Ring seal set	26407290	1		
3	ROTARY NOZZLE	47639910	1		
4	VPS K3 0287	47605340	1		

5.0 Electric box



5.0 Electric box

POS	DESCRIPTION ADDITIONAL INFORMATIONS	PART NO	QTY.	FROM SER.NR.	UP TO SER. NR.
0	Electric box complete K3.68	97760610	1		
1	Joint ring capacitor d.45, 70 Shore	90804210	1		
2	Capacitor 60uF (6.661-196)	97602050	1		
3	Cable with plug	90841490	1		